

Removal System - 2613

The 2613 removal system permits removal and re-installation of a pump without disturbing the discharge piping. The pump is bolted to the sliding bracket. The cast iron floor elbow is mounted to the Sub Base or the wet well floor. A wedge type design between the sliding bracket and floor elbow assures a tight fit. Guide pipes are mounted on the floor elbow and an upper guide pipe bracket. The guide pipes steer the pump to a perfect landing on the floor elbow. Available in 2, 3, 4, or 6 inch ANSI discharge sizes.

System Description

- One - Discharge Floor Elbow
- One - Sliding Bracket - Select
 - Iron or
 - Bronze for use with Explosion Proof Motor
- One - Guide Pipe Bracket - Select
 - A - Flat (cover mount) - bolts to wet well cover or
 - B - Angle 90° (side mount) - bolts to vertical Side wall or
 - C - BCB-1 bracket - mounts to discharge pipe
 - D - BCB-2 Duplex bracket - 2, 3, or 4 inch only

Not Included

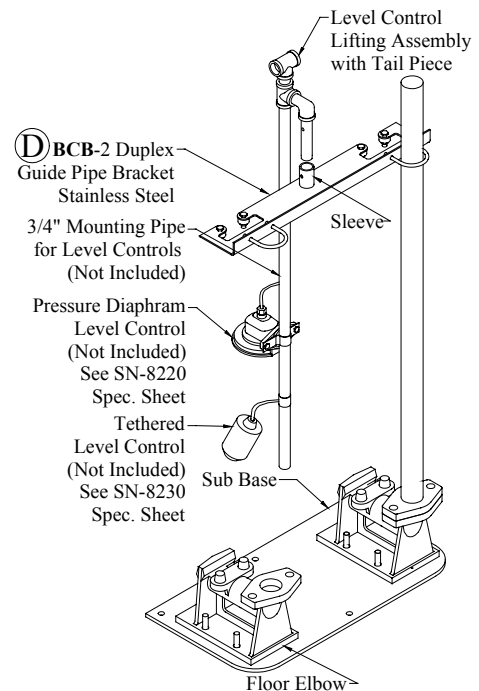
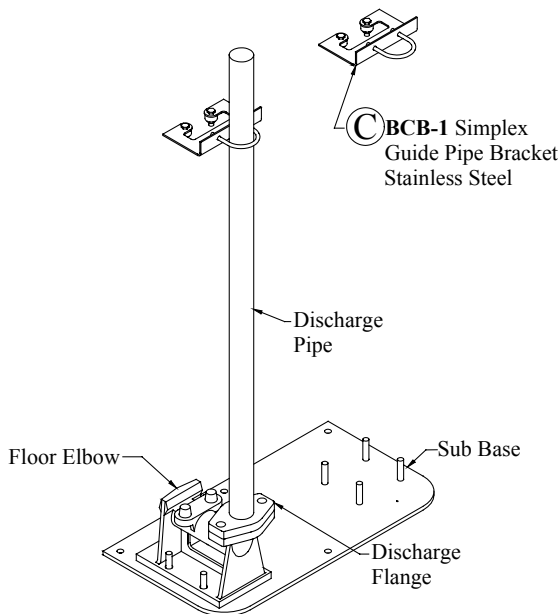
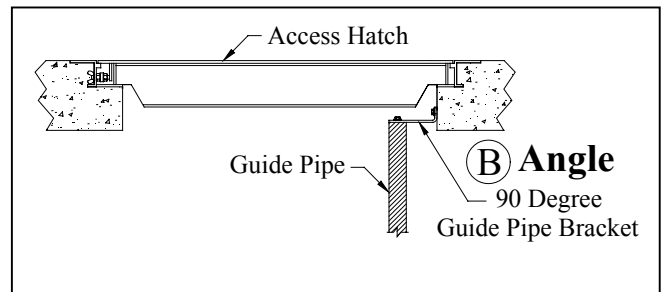
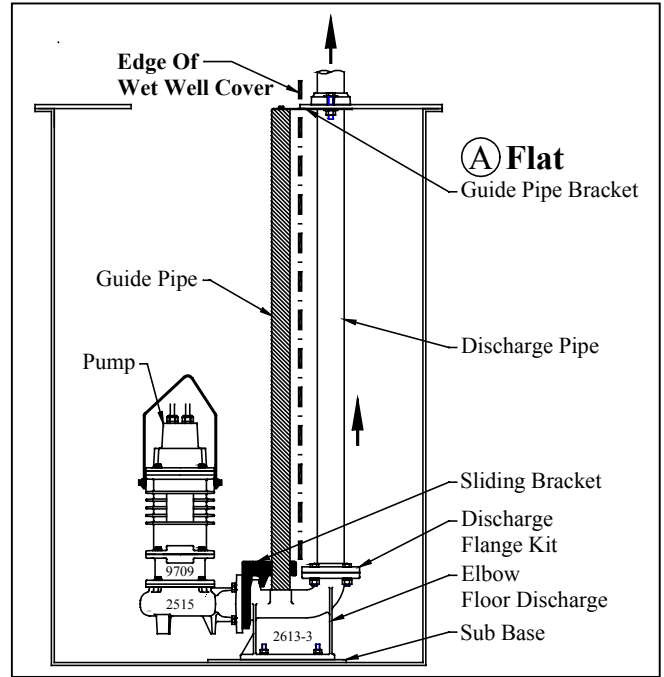
Guide Pipes, Discharge Pipe, Flanges

Options

- Discharge Flange Kit for Floor Elbow
- Intermediate Guide Pipe Bracket
- Sub Base for Floor Elbows
- Level Control Lifting Assembly for BCB Duplex Bracket

Sub Base - Duplex 2613

Floor Elbow		Distance between center of discharges
Size	Size	
2	14 x 26 x .375	18
3	18 x 30 x .375	22
4	20 x 34 x .375	26
6	26 x 48 x .500	32



Duplex Valve Assembly – 2616

The 2616 valve assembly has the check valve and isolation valve requirements for a duplex wastewater pumping system combined into one unit. The 2616 assembly consists of two wastewater check valves and one four-way isolation valve.

The four-way valve can isolate the lead pump, the lag pump, or the discharge line. The standard operating position has the lead pump and lag pump open to the discharge.

The check valves and isolation valve body have standard ANSI B61 iron 125 PSI flanges.

The 2616 valve assembly saves many hours of installation time. Available in 2, 3, or 4 inch ANSI flange discharge sizes.

