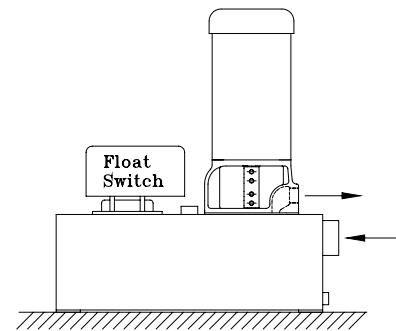


**4100 Condensate Return System  
Turbine Pumps**

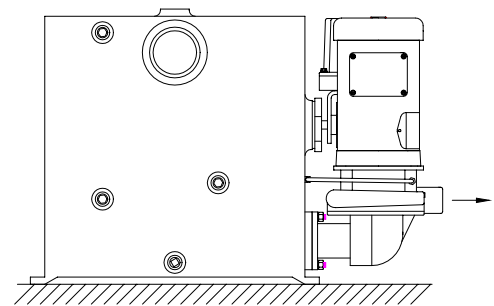
- Turbine pump, vertically mounted
- Simplex and duplex systems
- Cast iron or all-bronze pump construction
- Steel receiver
- GPM - 1 1/2 through 35 GPM
- PSI - 10 through 40



**4100**

**4200 Condensate Return System  
Centrifugal Pumps**

- Centrifugal pump
- Simplex or duplex systems
- Cast iron pump
- Steel receiver
- GPM - 3 through 75
- PSI - 10 through 50



**4200**

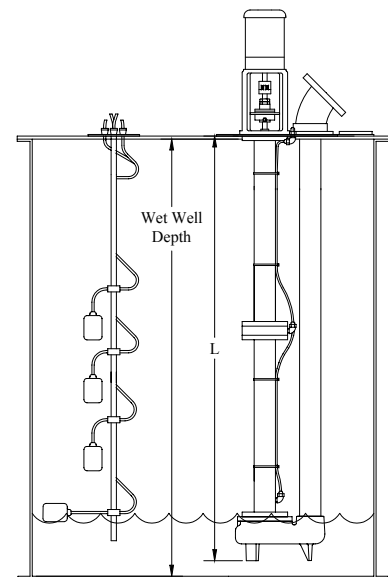
**4500 Vertical**

Cover mount 4500 vertical condensate models are suspended and supported by a floor plate. The floor plate is larger than the opening in the wet well cover and rests on the wet well cover.

- Simplex and duplex system
- Cast iron construction
- Stainless steel shaft
- Bronze impeller
- Graphite bearing

**Listed by Discharge Size**

Model	Disch Size	Disch Type	Max "L"	Max HP	Max GPM	Model
4507	1-1/2	NPT	141	7 1/2	150	4507
4503	2	NPT	141	3	150	4503
4521	3	NPT	152	15	600	4521



**4500 Vertical**