

# WEIL Wastewater Pumps

## Submersible and NEMA Motors

# Dry Well

## Model Index

Dry well wastewater models are designed to be installed in a dry area adjacent to a wet well.

Dry well models can also be installed as a booster pump in a sewage force main. A typical installation has a submersible pump in the wet well with dry well pumps installed at intervals in the force main.

Dry well models are also used with above ground wet storage tanks. Install with a valve on the suction side, and a valve and check-valve on the discharge side. A compact, easy-to-install and maintain pump arrangement is possible.

All NEMA motors are Totally Enclosed Fan Cooled.

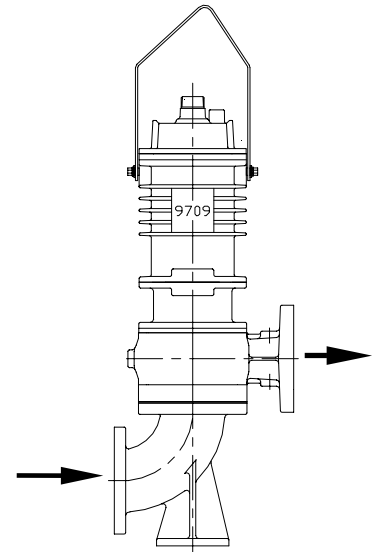
Several dry well models are matched to a Weil double-seal submersible motor. This style is used in locations where flooding of a dry well may occur.

Dry well models with NEMA motors can be either horizontal or vertical mount.

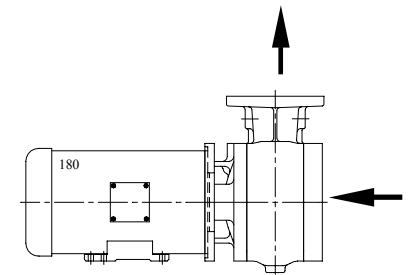
Explosion-proof motors are available on all models.

Listed by Discharge Size then Solid Size.

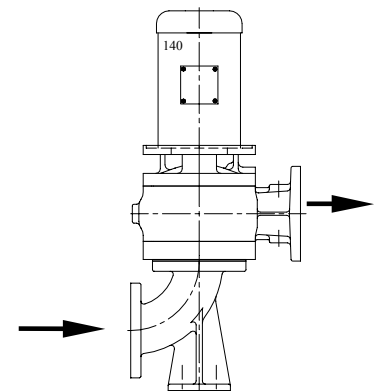
Model	Motor Type	Disch. Size	Suct. Size	Solids Size	Max HP	Max GPM	Model
<b>Submersible Motor - Vertical Mount</b>							
2814	SUB	3 ANSI	3 ANSI	2 1/2	5	340	2814
2815	SUB	4 ANSI	4 ANSI	2 1/2	5	340	2815
2816	SUB	4 ANSI	4 ANSI	3	10	750	2816
<b>NEMA Motor - Horizontal Mount</b>							
2852	NEMA	2 ANSI	3 NPT	Grinder	7 1/2	120	2852
2882	NEMA	2 NPT	2 NPT	1 1/2	3	110	2882
<b>NEMA Motor - Vertical or Horizontal Mount</b>							
2834	NEMA	3 ANSI	3 ANSI	Slicer	5	300	2834
2856	NEMA	3 ANSI	3 ANSI	1/2	30	600	2856
2857	NEMA	3 ANSI	4 ANSI	3/4	40	1050	2857
2854	NEMA	3 ANSI	3 ANSI	2 1/2	10	360	2854
2836	NEMA	4 ANSI	4 ANSI	Slicer	5	260	2836
2838	NEMA	4 ANSI	4 ANSI	Slicer	15	650	2838
2863	NEMA	4 ANSI	4 ANSI	13/16	20	625	2863
2855	NEMA	4 ANSI	4 ANSI	2 1/2	5	360	2855
2879	NEMA	4 ANSI	4 ANSI	2 1/2	40	700	2879
2875	NEMA	4 ANSI	4 ANSI	3	15	850	2875
2878	NEMA	4 ANSI	4 ANSI	3	20	1300	2878



**Submersible Motor  
Vertical Mount**



**NEMA Motor  
Horizontal Mount**



**NEMA Motor  
Vertical Mount**

Vertical mount floor elbows are ANSI flanged 90° with foot mounting

**ANSI** = American National Standard Institute 125# flange connection. Provided with flange holes for bolt mounting.

**NPT** = National Pipe Taper. Discharge has a female threaded connection suitable for threaded pipe.